



Eaton's Carter product line includes two versions of the Gravity Filling Adapter (GFA) for use with Closed Circuit Refueling nozzles (CCRs). Model 64014 (per MIL-N-52748) is for standard temperature applications. Model 64033 (per MIL-N-53093), is for arctic temperature use. The two units vary only in color (tan—standard, green—arctic) and the presence of a special, over-the-top, "arctic glove" capable operating handle on Model 64033.

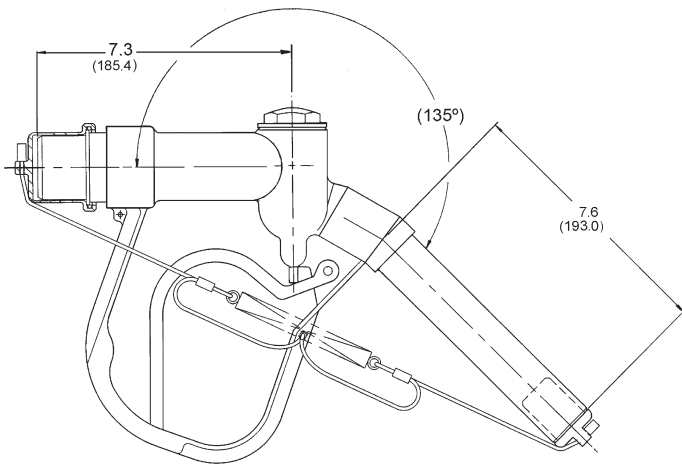
#### **Technical Information**

- Temperatures:  
-65°F to +140°F  
(-53.88°C to +60°C)
- Inlet mates to any CCR nozzle
- Outlet — spout for overwing filling
- Color:  
Tan standard (Model 64014)  
Green standard on arctic unit (Model 64033) and optional on Model 64014G
- Weight:  
64014 - 3.2 lbs (1.451 kg)  
64033 - 4.1 lbs (1.860 kg)
- Proof pressure:  
150 psi (10.342 bar)

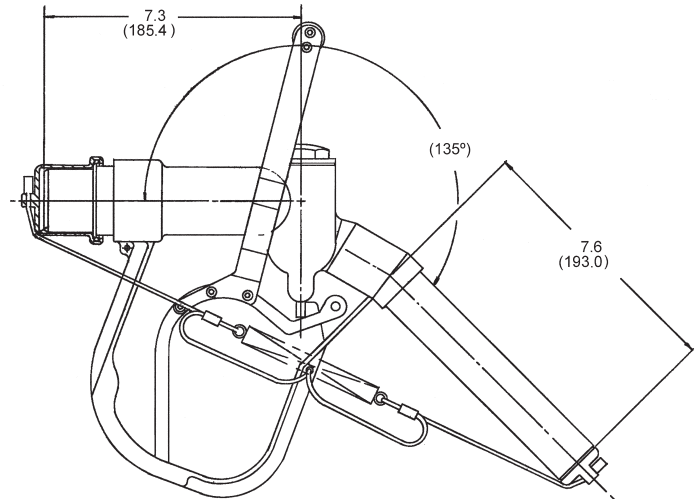
## Envelope Dimensions

Dimensions shown in inches (millimeters)

### Model 64014



### Model 64033



## Ordering Data

Model	Description
64014	Standard GFA in accordance with MIL-N-52748D, meets tan color requirements
64014G	Standard GFA in accordance with MIL-N-52748D, meets green color requirements
64033	Arctic GFA in accordance with MIL-N-53093, green color